

TGT Robby 600 universal

The all-terrain Glazier



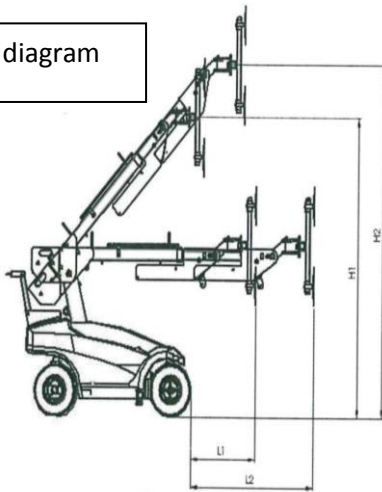
NEW

The lift head of the TGT Robby 600 *universal* you can turn in all directions and it is possible to telescope the arm electrical 600 mm forward. Similarly, the flexible head is tiltable up and down as well as 360° manual rotatably. 180° pivotable sideways and 200 mm on the front axle laterally displaceable by motor. The TGT Robby 600 *universal* is equipped with a powerful electric-wheel drive and, of course, with a 2circle sucker device according to EN 13155.

Technical data:

Total weight:	ca.820 kg
Overall height:	1430 mm
Overall width:	800 mm
Overall length:	2300 mm
Telescopic length:	600 mm
Mobility of the flexible	
Suction head:	-100° bis + 100°
Speed regulation:	continuously
Side shift:	200 mm
Lifting height:	2900 mm
Charging current:	230 volts
Charger:	Cetek XT 14000
Batteries:	(2x12V) /2x105 A
Operating time:	app. 30 hours
Sucker device after:	EN13155

Payload diagram



	L1	L2	H1	H2
payload	600 kg	400 kg	350 kg	250 kg
distance	850 mm	1225 mm	2380 mm	2900 mm

